

# FPS SR series

## 8" 50 Hz Stainless Steel Submersible Pumps

8-Inch: 78 & 97 m<sup>3</sup>/h flow ratings

*Advanced technology in  
performance and reliability.*



Franklin Electric

# Stainless Steel Submersible Pumps

## FPS SR-Series

The FPS SR Series pumps are specifically designed for municipal and industrial applications. These pumps contain stainless steel impellers, a stainless steel shell to maintain alignment, and heavy investment cast stainless steel suction and discharge brackets. Built to operate efficiently with Franklin Electric submersible motors, the FPS SR Series stainless steel pumps are equipped to handle the most demanding conditions.

### Specifications

#### 8" SR-Series Models

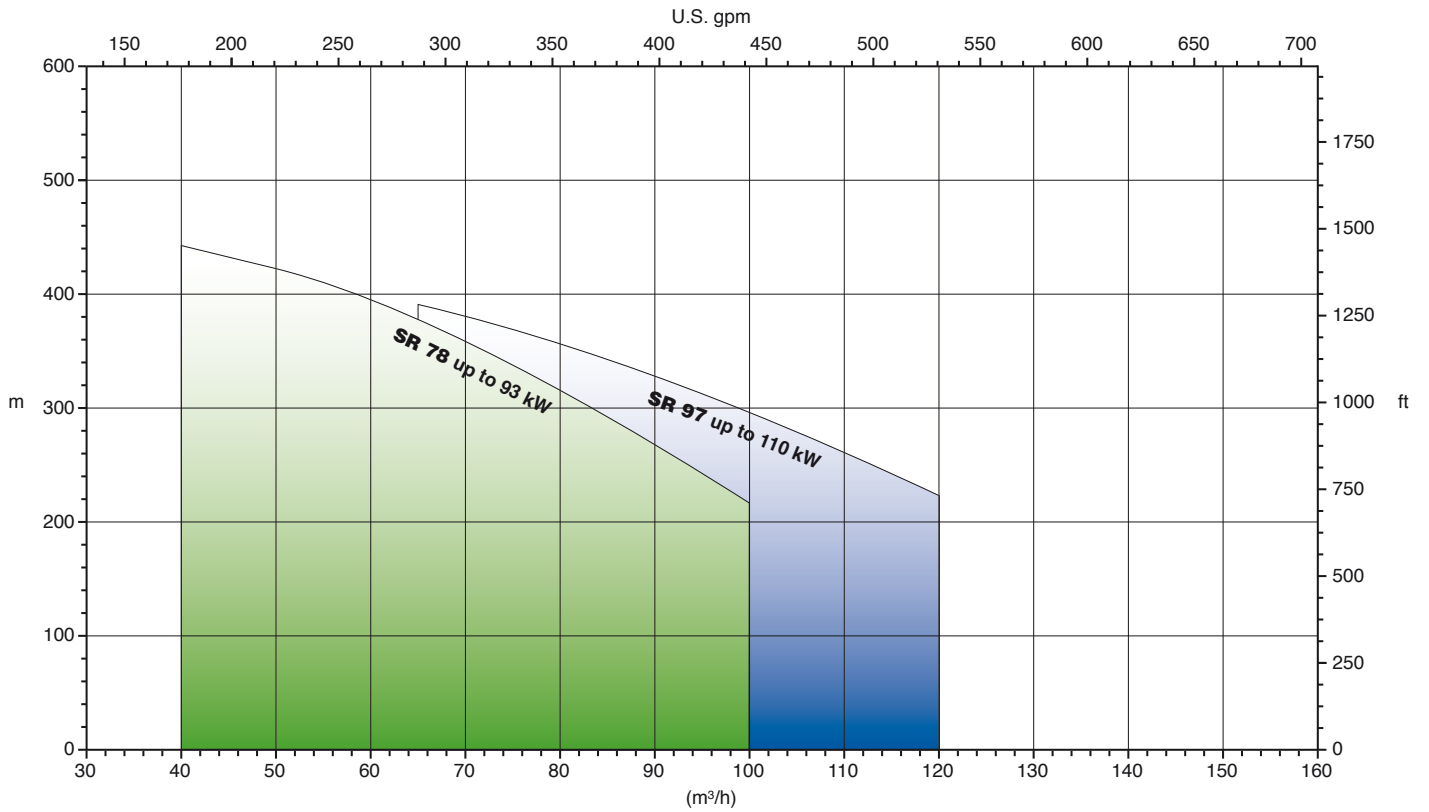
<b>Capacity</b>	Up to 120 m <sup>3</sup> /h at 50 Hz
<b>Heads</b>	50 bar (500 m) at 50 Hz
<b>Efficiency</b>	Up to 80%
<b>Discharge Outlet</b>	4" BSP SR78 / 6" BSP SR97
<b>Required Motors</b>	From 7.5 kW to 110 kW / 6" & 8" NEMA standard
<b>Standard Material</b>	316 SS (304 SS Available)

### Features

- **Premier manufacturing technology**  
The innovative mechanical design combined with the use of an advanced stainless steel manufacturing process has resulted in a state-of-the-art submersible pump line.
- **Guaranteed performances**  
The SR Series pumps feature fabricated stainless steel impellers and diffusers for corrosion resistance with a PTFE floating neck ring, ceramic guide journal sleeve and NBR fluted bearings to ensure durability against wear. All of these materials combine to promote product reliability and long lasting constant performance.
- **Heavy duty structure**  
An external stainless steel shell improves stiffness and assures permanent alignment of all the components. In addition, a wafer style check valve is built into the discharge head to allow for horizontal operation. The SR Series pumps are built to last in the most complex and severe applications.
- **Stainless steel**  
All components are made of stainless steel for durability and robustness to increase run time and provide trouble-free operations.
- **High efficiency and energy saving**  
Innovative hydraulic designs such as fully welding the three dimensional twisted blades of the impellers and diffusers provide efficiencies up to 80%. The increased efficiency coupled with the robust design and materials make the SR Series pumps the likely choice for all pumping applications.

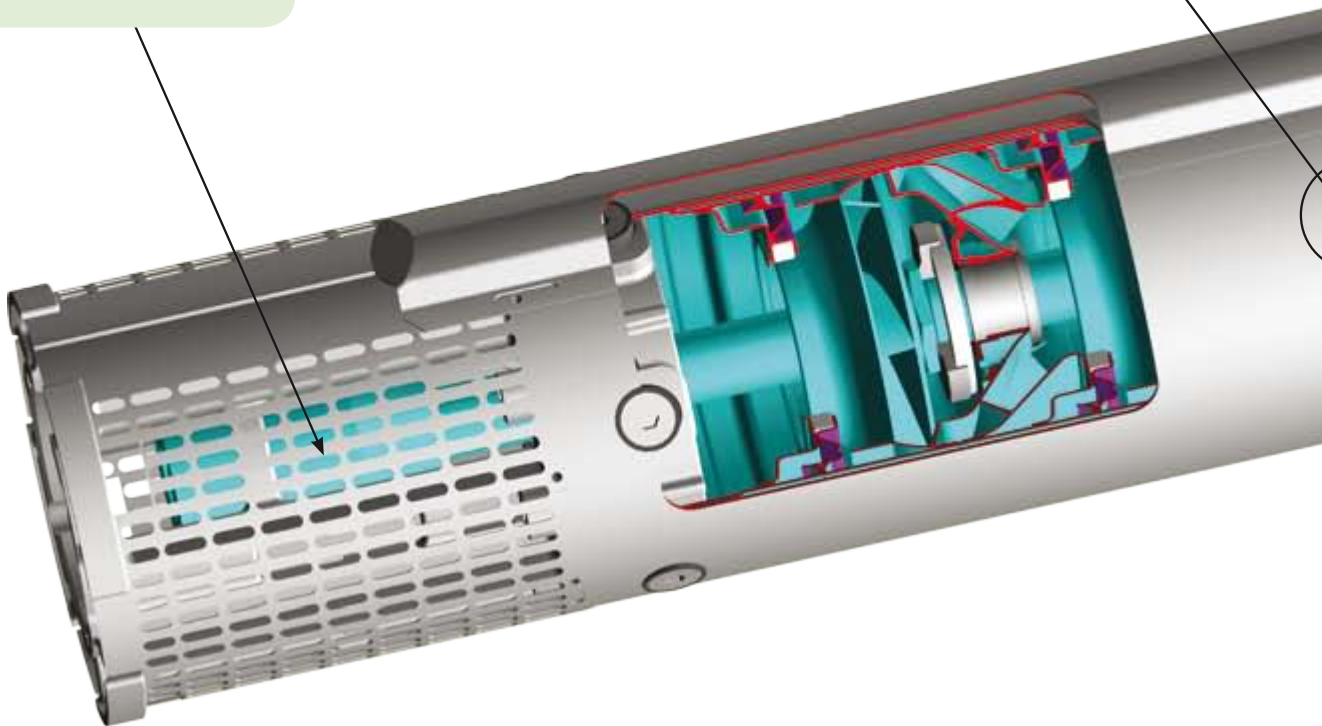
# 8" Submersible Pumps

## 8" - 50 Hz



Motor adapter and coupling are in compliance to NEMA standards

Stainless steel external shell improves stiffness and assures permanent alignment of the components



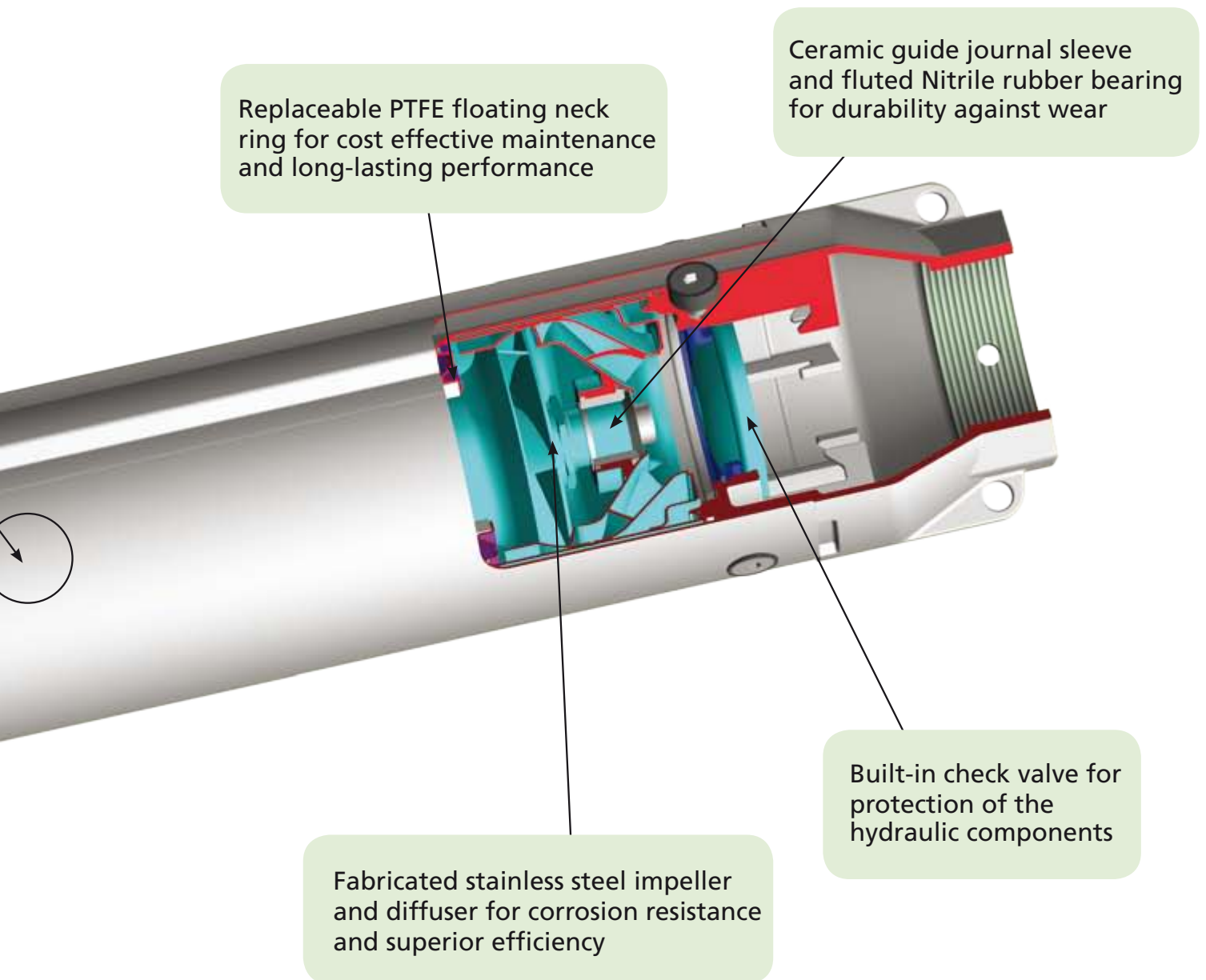
### Mixed Flow Ratings

- SR-78
- SR-97



Fully welded and diffuser cone taper





## Applications

These heavy-duty 8-inch submersible pumps are engineered for for a wide variety of applications including:

- Municipal water works
- Water distribution and pressure boosting
- Irrigation and sprinkler systems
- Water treatment plants, filtration and reverse osmosis
- Industrial cooling and processing
- Mining industry, drainage and dewatering
- General industry
- Fountains

and impellers  
with split  
lock collets

**FPS**  
SR series

# 50 Hz 8" Stainless Steel Pumps

78-97 m<sup>3</sup>/h



Designed for industrial and agricultural applications, the SR Series submersible pump utilizes high grade stainless steel materials for the most demanding applications.

- 6" to 65 m<sup>3</sup>/h
- 8" to 97 m<sup>3</sup>/h

**Features:**

- Stainless steel impellers and diffusers to resist corrosion.
- Heavy duty stainless steel shell assures permanent alignment of all components to increase longevity and enables higher pressures than strap designs.
- PTFE floating wear ring, ceramic bearing journal and Nitrile rubber fluted bearing ensure durability against wear for long-lasting performance and reliability.
- Suited to operate in horizontal position.
- Built-in check valve to protect the pump against water hammer.
- Energy efficient hydraulic design for cost effective operation.
- Easy to install and dismantle for service in the field if necessary.

**Model Number Explanation**

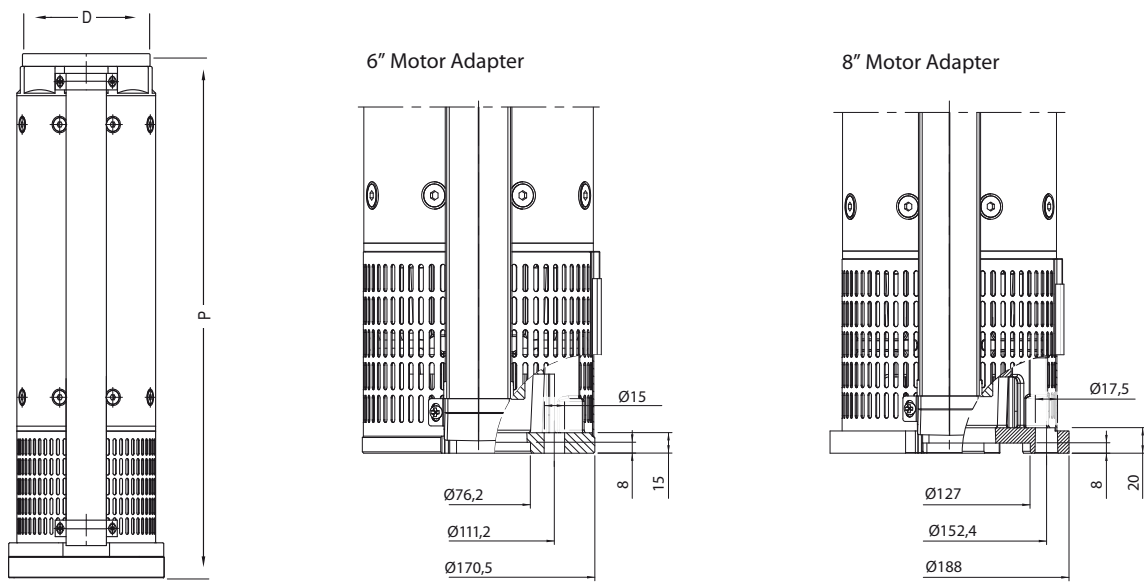
Example: 97SR55S85-1186  
97 = m<sup>3</sup>/h  
SR = Series  
55 = kW  
S = 316 SS (F=304SS)  
8 = 8" Pump  
5 = 50 Hz  
11 = Number of Stages  
8 = 8" Motor  
6 = 6" Discharge

## 50 Hz 8" Stainless Steel

78 m<sup>3</sup>/h Specifications

8" PUMP ENDS										
M3/h	Model	kW	Stages	Motor Size (in)	PART NUMBERS 316SS			Length (mm) - P	Weight (kg)	Discharge (in) - D
					Build No.	Order No.				
FPS-78	FPS-78-2	7.5	2	6"	78SR7S85-0264	97181078002	654	33.5	4	
	FPS-78-3	11	3	6"	78SR11S85-0364	97181078003	780	38.5	4	
	FPS-78-4	15	4	6"	78SR15S85-0464	97181078004	906	43.5	4	
	FPS-78-5	18.5	5	6"	78SR18S85-0564	97181078005	1032	43.5	4	
	FPS-78-6	22	6	6"	78SR22S85-0664	97181078006	1158	53	4	
	FPS-78-7	30	7	6"	78SR30S85-0764	97181078007	1284	58	4	
	FPS-78-8	30	8	6"	78SR30S85-0864	97181078008	1410	63	4	
	FPS-78-9	30	9	6"	78SR30S85-0964	97181078009	1536	68	4	
	FPS-78-10	37	10	6"	78SR37S85-1064	97181078010	1662	73	4	
	FPS-78-10	37	10	8"	78SR37S85-1084	97181078310	1662	73	4	
	FPS-78-11	37	11	6"	78SR37S85-1164	97181078011	1788	78	4	
	FPS-78-11	37	11	8"	78SR37S85-1184	97181078311	1788	78	4	
	FPS-78-12	45	12	6"	78SR45S85-1264	97181078012	1919	84	4	
	FPS-78-12	45	12	8"	78SR45S85-1284	97181078312	1919	84	4	
	FPS-78-13	55	13	8"	78SR55S85-1384	97181078013	2045	89	4	
	FPS-78-14	55	14	8"	78SR55S85-1484	97181078014	2171	94	4	
	FPS-78-15	55	15	8"	78SR55S85-1584	97181078015	2297	99	4	
	FPS-78-16	75	16	8"	78SR75S85-1684	97181078016	2423	103.5	4	
	FPS-78-17	75	17	8"	78SR75S85-1784	97181078017	2549	108.5	4	
	FPS-78-18	75	18	8"	78SR75S85-1884	97181078018	2675	113.5	4	
	FPS-78-19	75	19	8"	78SR75S85-1984	97181078019	2801	118.5	4	
	FPS-78-20	75	20	8"	78SR75S85-2084	97181078020	2927	123	4	
	FPS-78-21	75	21	8"	78SR75S85-2184	97181078021	3053	128	4	
	FPS-78-22	93	22	8"	78SR93S85-2284	97181078022	3079	133	4	
FPS-78-23	93	23	8"	78SR93S85-2384	97181078023	3305	138	4		
FPS-78-24	93	24	8"	78SR93S85-2484	97181078024	3431	143	4		

### Dimensions



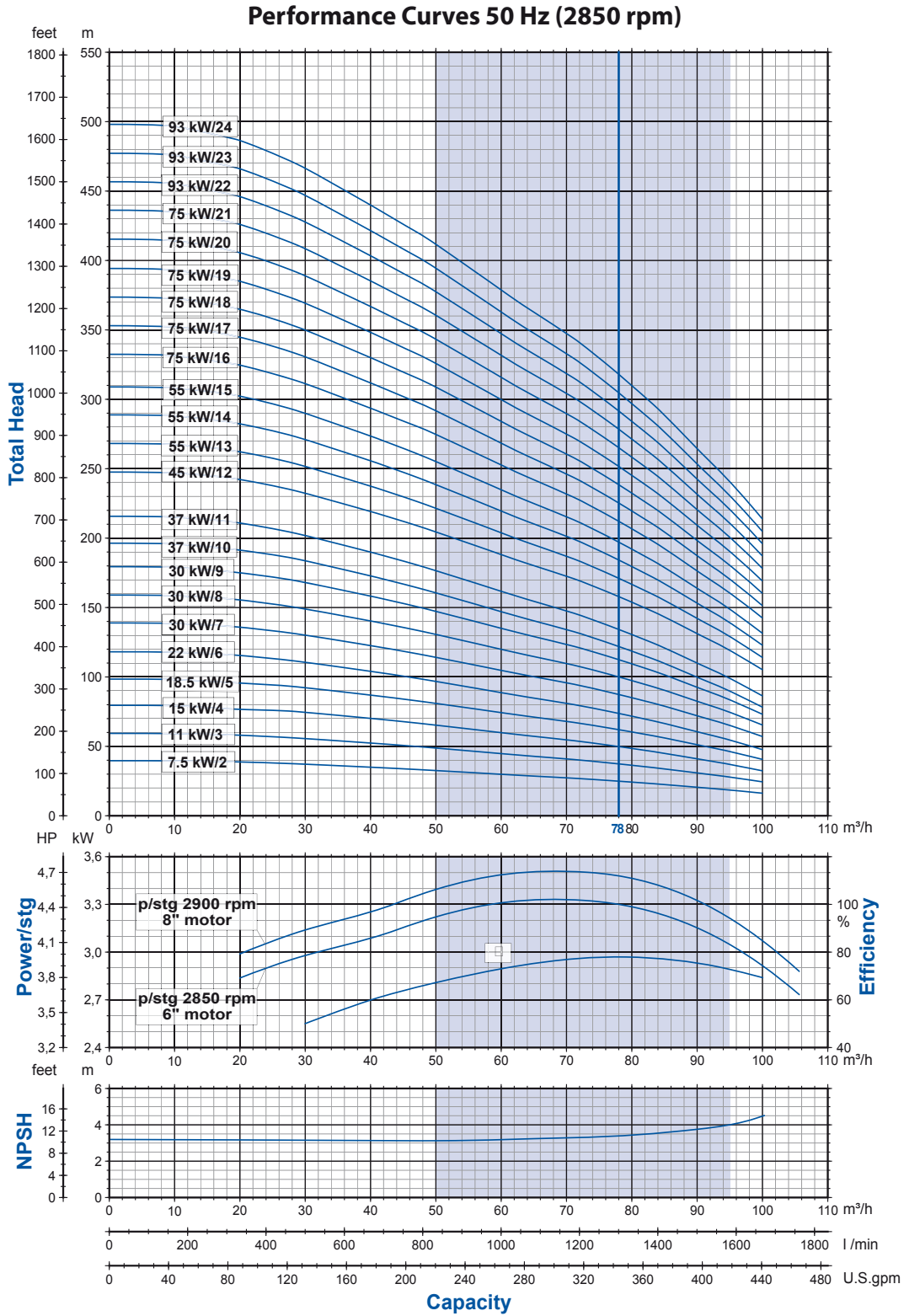
	Diameter with 1 cable cover	Diameter with 2 cable cover
Pump 8" with motor 6"	188	194
Pump 8" with motor 8"	200	202

\*Note: All units are in millimeters



## 50 Hz 8" Stainless Steel Pumps

78 m<sup>3</sup>/h Performance Curve



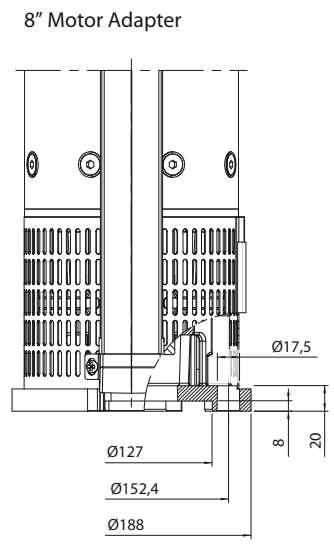
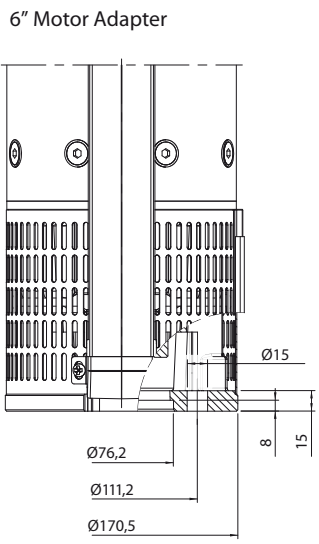
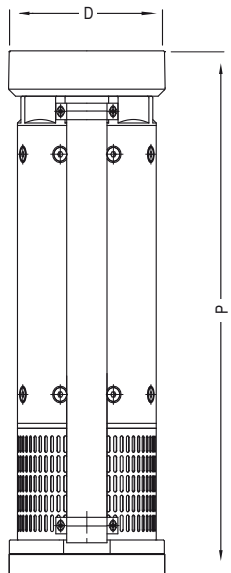


## 50 Hz 8" Stainless Steel

97 m<sup>3</sup>/h Specifications

8" PUMP ENDS									
M3/h	Model	kW	Stages	Motor Size (in)	PART NUMBERS 316SS		Length (mm) - P	Weight (kg)	Discharge (in) - D
					Build No.	Order No.			
FPS-97	FPS-97-2	9.3	2	6"	97SR9S85-0266	97181097002	698	35.25	6
	FPS-97-3	15	3	6"	97SR15S85-0366	97181097003	824	40.25	6
	FPS-97-4	18.5	4	6"	97SR18S85-0466	97181097004	950	45.25	6
	FPS-97-5	22	5	6"	97SR22S85-0566	97181097005	1076	49.75	6
	FPS-97-6	30	6	6"	97SR30S85-0666	97181097006	1202	54.75	6
	FPS-97-7	30	7	6"	97SR30S85-0766	97181097007	1328	59.75	6
	FPS-97-8	37	8	6"	97SR37S85-0866	97181097008	1454	64.75	6
	FPS-97-8	37	8	8"	97SR37S85-0886	97181097308	1454	64.75	6
	FPS-97-9	37	9	6"	97SR37S85-0966	97181097009	1580	69.75	6
	FPS-97-9	37	9	8"	97SR37S85-0986	97181097309	1580	69.75	6
	FPS-97-10	45	10	6"	97SR45S85-1066	97181097010	1711	75.75	6
	FPS-97-10	45	10	8"	97SR45S85-1086	97181097310	1711	75.75	6
	FPS-97-11	55	11	8"	97SR55S85-1186	97181097011	1837	80.75	6
	FPS-97-12	55	12	8"	97SR55S85-1286	97181097012	1963	85.75	6
	FPS-97-13	55	13	8"	97SR55S85-1386	97181097013	2089	90.75	6
	FPS-97-14	75	14	8"	97SR75S85-1486	97181097014	2215	95.75	6
	FPS-97-15	75	15	8"	97SR75S85-1586	97181097015	2341	100.75	6
	FPS-97-16	75	16	8"	97SR75S85-1686	97181097016	2467	105.75	6
	FPS-97-17	75	17	8"	97SR75S85-1786	97181097017	2593	110.25	6
	FPS-97-18	93	18	8"	97SR93S85-1886	97181097018	2719	115.25	6
	FPS-97-19	93	19	8"	97SR93S85-1986	97181097019	2845	120.25	6
	FPS-97-20	93	20	8"	97SR93S85-2086	97181097020	2971	124.75	6
	FPS-97-21	93	21	8"	97SR93S85-2186	97181097021	3097	129.75	6
FPS-97-22	110	22	8"	97SR110S85-2286	97181097022	3223	134.75	6	
FPS-97-23	110	23	8"	97SR110S85-2386	97181097023	3349	139.75	6	

### Dimensions

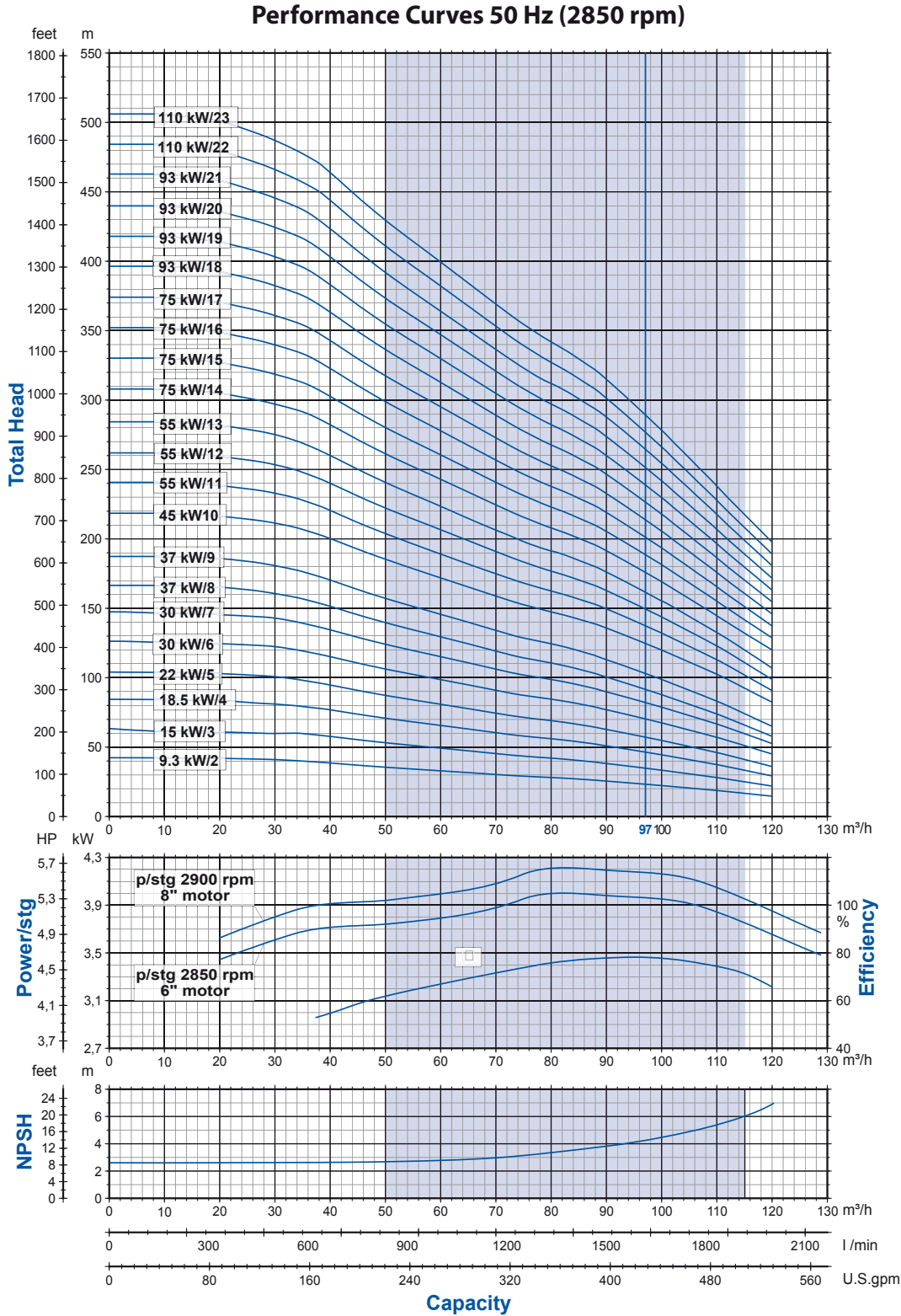


	Diameter with 1 cable cover	Diameter with 2 cable cover
Pump 8" with motor 6"	188	194
Pump 8" with motor 8"	200	202

\*Note: All units are in millimeters

## 50 Hz 8" Stainless Steel Pumps

97 m<sup>3</sup>/h Performance Curve



## 50 Hz 8" Stainless Steel

### Materials of Construction

8" PUMP MATERIALS OF CONSTRUCTION			
Parts Description	Material		
	Type	F-304SS	S-316SS
		AISI	AISI
Discharge Head	Stainless Steel	304	316
Valve	Stainless Steel	316	316
Sealing O-Ring	Nitrile Rubber (NBR)	N/A	N/A
Outer Case Locking Nuts	Stainless Steel	316	316
Valve Support	Stainless Steel	316	316
Seeger Ring	Stainless Steel	316	316
Spring	Stainless Steel	316	316
Outer Case	Stainless Steel	304	316
Suction Strainer	Stainless Steel	316	316
Cable Guard	Stainless Steel	316	316
Initial Spacer	Stainless Steel	316	316
Flange and Screws	Stainless Steel	304	316
Motor Adapter	Stainless Steel	304	316
Pump Shaft	Stainless Steel	329	329
Coupling	Stainless Steel	431/329	316/329
Upper Upthrust Washer	Stainless Steel	329	329
Lower Upthrust Washer	Stainless Steel	329	329
Upper Journal Sleeve (1)	Stainless Steel with Ceramic Coating (1)	N/A	N/A
Screw and Washer	Stainless Steel	316	316
Upthrust Ring	PTFE	N/A	N/A
Diffuser	Stainless Steel	304	316
Secondary Bearing Bush	Nitrile Rubber (NBR)	N/A	N/A
Floating Neck Ring	PTFE	N/A	N/A
Flange Clamping Neck Ring	Stainless Steel	316	316
Impeller	Stainless Steel	316	316
Split Cone	Stainless Steel	316	316
Split Cone Nut	Stainless Steel	316	316

(1) - Stainless Steel with Tungsten Carbide Coating on pumps longer than 3 meters



## **Franklin Electric**

Franklin Electric (Aust) Pty Ltd  
106-110 Micro Circuit  
Dandenong South, Vic 3175  
Tel: +61 3 9799 5000

**Toll Free: 1300 FRANKLIN**  
1300 372 655  
**[franklin-electric.com.au](http://franklin-electric.com.au)**

### **UNITED STATES**

Franklin Electric Co., Inc.  
400 E. Spring St., Bluffton, IN 46714 USA  
Tel: +1.260.824.2900 Fax: +1.260.824.2909